

“本图册中所有图片版权归属江苏BRIMA起重机械制造有限公司所有，任何未经授权复制、发布均为侵权行为，我司将追究法律责任”
The Copyright of the picture in this catalogue are belongs to JIANGSU BRIMA HOISTING MACHINERY MANUFACTURING CO.,LTD.
Any unauthorized use, copy, or distriution is unlawful and offenders be prosecuted to the fullest extent of the law

江苏八马起重机械制造有限公司
BRIMA (ENGLAND) HOIST & CRANE LTD

全国热线: 0512-57253378 www.jsbm.cc

BRIMA
中英合资品牌 国际标准 国际品质

BRIMA
中英合资品牌 国际标准 国际品质

BRIMA(ENGLAND)HOIST&CRANELTD
地址: 江苏省昆山市张浦镇同舟路236号
ADD:No.236, TongZhoU RoadZhanGPU TOWNKUNSHAn CityJiangSu ProvinceChina
电话TEL: 0512-57253378 传真FAX: 0512-57253368



BMS SERIES
EUROPEAN ELECTRIC
CHAIN HOIST

BMS系列
环链电动葫芦

BRIMA

中英合资品牌 国际标准 国际品质

多元产品
Multi-product



先进技术
Advanced Technology

系统方案
System Solution

专注于欧式葫芦与
起重机研发制造



BRIMA sets high quality products and advanced technology in one, in addition to the lifting industry experts and experience A wealth of engineers; It also offers a wide range of products and safe and reliable system solutions. And to best serve our customers.

BRIMA集高质产品与先进技术于一体，除了拥有起重行业专家和经验丰富的工程师；还提供丰富多元的产品和安全可靠的系统解决方案，并以最佳方式服务于我们的客户。



Higher Performance & Faster 更高性能 / 更快速度

BMS型欧式电动环链葫芦具有高性能、高安全性可靠性的优点，采用人性化设计理念，增加生产量，使工作达到最高效率。

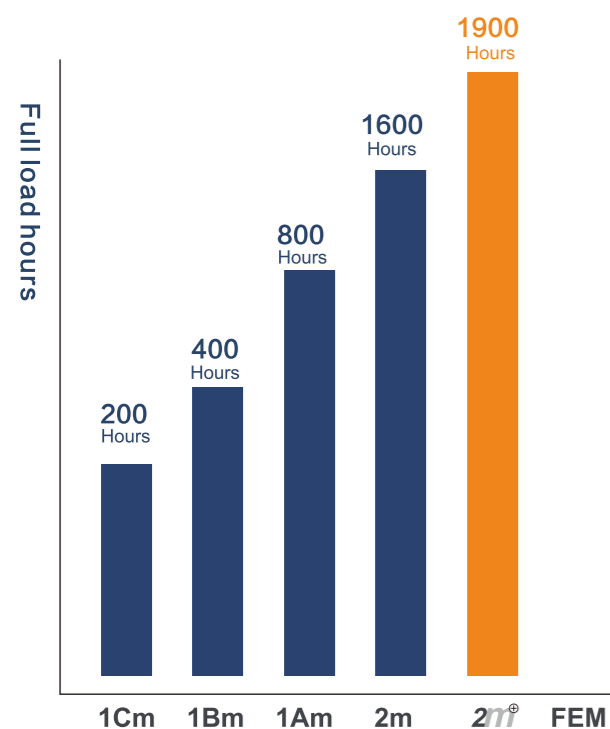
BMS european electric chain hoist with high performance, high safety reliability advantages, Using use humanized design concept to increase your productivity and make the work to achieve the highest efficiency

Sensitive and Fast 灵敏快捷

BMS型欧式电动环链葫芦动作灵活，定位精准，主起升速度快速有效，低速起升确保载荷平稳，精确定位

BMS european electric chain hoist with flexible action, positioning accuracy Lord stood up quickly and efficiently speedlow speed hoisting load smoothly, accurate positioning

Longer service life for greater efficiency
满载情况下的工作寿命



Longer service life for greater efficiency 工作效率更高/使用寿命更长

在实际工作中，BRIMA工作级别要比普通的2m工作级别多出20%，这意味着能够延长使用寿命，减少大修次数，这也是BMS型欧式电动环链葫芦所独有的特征。

In practical terms, BMS european electric chain service life is extended by approx. 20% in comparison with the conventional 2m classification for chain hoists FEM rating. This results in significantly prolonged time between service intervals and general overhauls. This extra operating life is only offered by BMS european electric chain.



专业的链轮设计
Professional chain guide design

运行更平稳高效
More smooth and efficient operation

链条磨损更小
Chain wear less

Maintenance: Fast And Simple 维护方便快捷

BMS型欧式电动环链葫芦的所有主要驱动部件如齿轮箱，制动器和离合器等均采用特殊工艺制造，坚固耐用。BMS型系列制动器5年免维护。BRIMA起重的产品出众的质量令其即使在繁忙工作下依然有很长的工作寿命。

BMS european electric chain hoist, all main drive components, such as gear box, brake and clutch made by a special process, and durable, BMS series brake have 5 years free maintenance, BRIMA hoist still has a long working life with high quality even in busy work.

由于BMS型欧式电动环链葫芦良好的服务设计，少量必要的维护工作能够迅速简单地完成。

Because BMS european electric chain is designed by excellent service idea and necessary maintenance work, can quickly & simply finished works.

BMS型欧式电动环链葫芦的链轮设计紧凑、即插即用，更换快速方便，并且无需拆卸电机或齿轮箱部件。维护工作所造成的长时间停机已经成为过去。

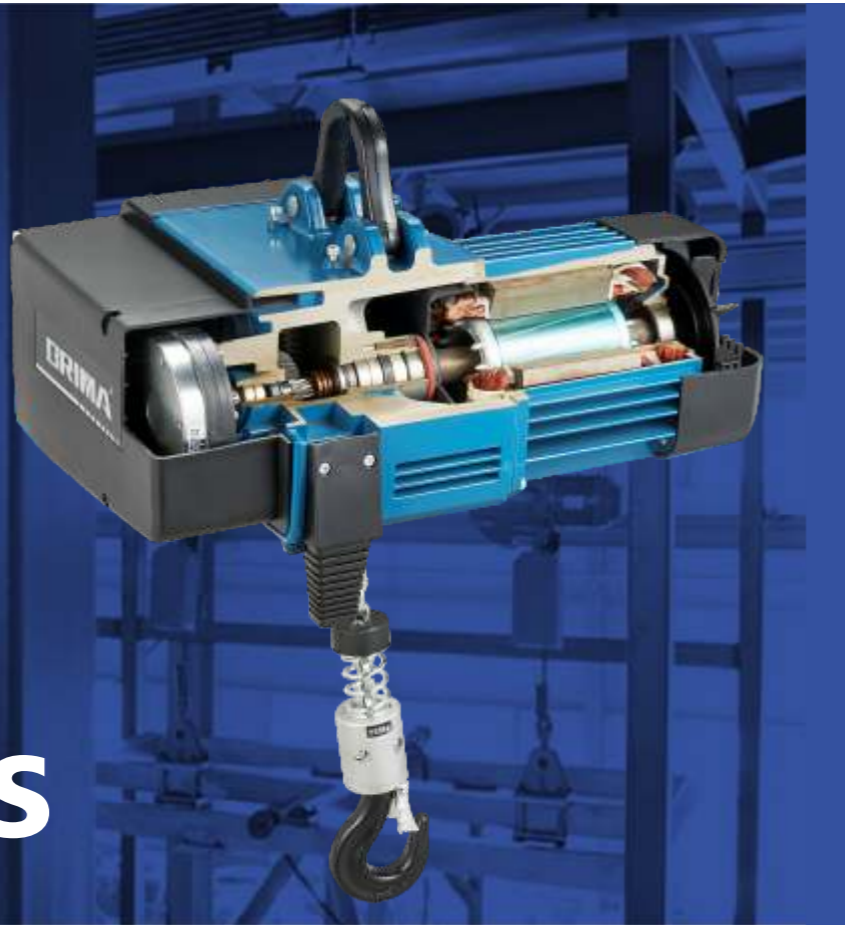
The chain drive of BMS european electric chain is designed as a compact unit which is slid into place and can be replaced in a minimum of time without the need to disassemble motor or gearbox parts. Long downtimes as a result of maintenance work are now a thing of the past.



▲ Chain Guide

量身定制的解决方案

Tailored Solutions



BMS型欧式电动环链葫芦通过相关权威认证葫芦电机的认证，电动环链葫芦以及行走电机装置的防护等级为IP55，手电门防护等级为IP65，外壳可以防潮防尘。

BMS European electric chain hoist has passed the certification of relevant authority certification of hoist motor. The protection grade of electric chain hoist and traveling motor device is IP55, the protection grade of pendant control is IP65, and the housing can be damp-proof and dust-proof.



起升电机高性能电机，重量轻，体积小，转速可到3000 R.P.M。启动转矩高，能效高，接电持续率达60%，满足高频率搬运的需求。防护等级IP55。绝缘等级F级。

BMS European electric chain hoist has passed the certification of relevant authority certification of hoist motor. The protection grade of electric chain hoist and traveling motor device is IP55, the protection grade of flashlight door is IP65, and the shell can be damp-proof and dust-proof.



起升制动器---电磁盘式制动器布置在传动齿轮轴轴末端，制动材质不含石棉，制动盘免维护设计，自动调节制动间隙，正常使用可工作100万次制动器完整封闭，防护等级高。满足在恶劣环境下工作要求，制动扭矩为电机额定扭矩的2倍。

The lifting brake and electromagnetic disc brake are arranged at the end of the transmission gear shaft. The brake material does not contain asbestos. The brake disc is maintenance-free design and automatically adjusts the brake clearance. The brake can work for 1 million times in normal use. The brake is completely closed and has high protection level. Meet the working requirements in harsh environment, and the braking torque is 2 times of the rated torque of the motor.



超离合器---集成在传动齿轮轴上，起到超载保护功能。保持扭矩高达安全载荷的1.4倍免维护设计，超载力矩可调。

Slipping clutch --- integrated on the transmission gear shaft to play an overload protection function. The maintenance free design can keep the torque up to 1.4 times of the safe load, and the overload torque can be adjusted.



链条---高硬度，抗老化的BRIMA专用链条。表面经过硬化处理，镀锌和额外的表面处理，保护其不受恶劣环境的侵蚀。

Load Chain --- High hardness, BRIMA special anti-aging chain. The surface is hardened, galvanized and additional surface treatment to protect it from the erosion of harsh environment.



壳体---高强度合金压铸一体成型，耐腐蚀，密封性好，特殊的悬挂设计，避免箱体收到载荷作用力，电机壳工程塑料整体自重轻，散热好。

Housing --- high-strength alloy die-casting integrated molding, corrosion resistance, good sealing, special suspension design, to prevent the box from receiving load force, motor shell engineering plastic overall weight is light, heat dissipation is good.



减速齿轮---斜齿设计，传动效率高，噪音低，硬齿面加工，磨齿后加热处理，齿轮精度等级7级，甚至更高，完全油浴润滑，超低噪音，超长寿命。啮合严密，传动高效。

Reduction gear - helical gear design, high transmission efficiency, low noise, hard tooth surface processing, gear grinding and heating treatment, gear accuracy grade 7 or higher, complete oil bath lubrication, ultra-low noise, ultra-long life. Tight engagement and efficient transmission.



吊钩组---吊钩组装置手握舒适，符合人体工程学原理。吊钩经锻造加工，强度绝佳，吊钩360度旋转，特殊设计的安全舌片，确保操作安全。

Hook block - The hook group device is comfortable to hold and conforms to the ergonomic principle. The hook is forged and has excellent strength. The hook rotates 360 degrees. The specially designed safety tongue ensures safe operation.



手电门开关---通过标准快接插头连接在葫芦上，低压控制开关并带急停按钮设计。手电门电缆线均为高品质铜芯，手电门及电线重量集中在钢丝绳上，大大提高电缆寿命。

Pendant control --- connected to the hoist through the standard quick-connect plug. The low-voltage pendant control is designed with an emergency stop button. The cable of pendant control is made of high-quality copper core. The weight of pendant control and wire is concentrated on the wire rope, which greatly improves the cable life.

EUROPEAN ELECTRIC CHAIN HOIST WITH HOOK TYPE

欧式电动环链葫芦 (固定式)



基本特征

BMS系列欧式电动环链葫芦可方便的安装到铝轨标准组件的轨道上。

Basic characteristics

BMS european electric chain hoist can be installed to the Aluminium rail orbit of standard components

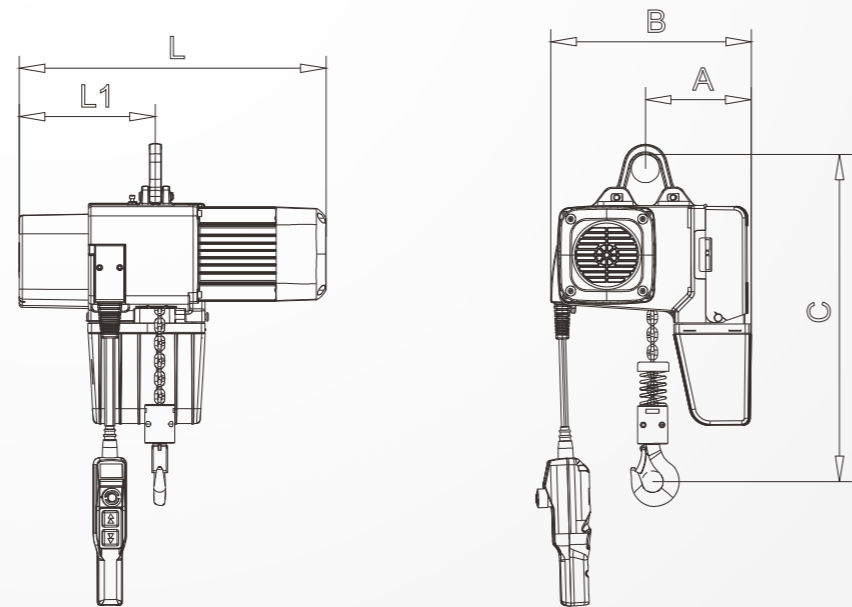
测试简单

所有电器连接均为插入式——即插即用通用型悬挂机构，既能用于铝轨标准轨道又可与小车快速链接。

Easy test

All electrical connection to plug in, plug and play universal suspension mechanism,both can used for Aluminium rail standard track and can be connected to trolley quickly

Technical Parameters 技术参数



人性化设计

控制电缆长度可以调节，手电门总在最合适的位置。手电门人性化设计，握感舒适，免除操作疲劳。

Humanized design

Control cable length can be adjusted,control pendant always in the most appropriate location. Control pendant is humanized design,grip feels comfortable,avoid operation fatigue

标准双速电机，工作效率更高

低压24V控制更安全。

统一维修检测后盖

可用于电器接插，手电门高度调节，链条润滑。无需拆卸其他部件，快速更换起重链轮，减少停机时间。

Unified maintenance test back cover

Can be used for electric plug,Control pendant can be high adjusted, the chain lubrication,without having to remove other components, fastly replace chain guide,and reduce downtime

Standard double speed motor,higher working efficiency
24V control voldage is more safe

型号(Model)	载重量(KG)	起升速度(m/min)	电机功率(kw)	电机转速(r/min)	工作电压(v)	控制电压(v)	工作等级(FEM/ISO)
BMS0.125-01M	125	8/2	0.4/0.1	2880/720	220-460	24	2M/M5
BMS0.125-01M	125	16/4	0.8/0.2	2880/720	220-460	24	2M/M5
BMS0.25-01M	250	8/2	0.4/0.1	2880/720	220-460	24	2M/M5
BMS0.25-01M	250	12/3	0.8/0.2	2880/720	220-460	24	2M/M5
BMS0.25-01M	250	16/4	1.8/0.45	2880/720	220-460	24	2M/M5
BMS0.5-01M	500	8/2	0.8/0.2	2880/720	220-460	24	2M/M5
BMS0.5-01M	500	12/3	1.8/0.45	2880/720	220-460	24	2M/M5
BMS0.5-01M	500	24/6	2.3/0.6	2880/720	220-460	24	2M/M5
BMS0.5-01M	500	16/4	2.3/0.6	2880/720	220-460	24	2M/M5
BMS0.5-02M	500	4/1	0.4/0.1	2880/720	220-460	24	2M/M5
BMS01-01M	1000	12/3	2.3/0.6	2880/720	220-460	24	2M/M5
BMS01-01M	1000	8/2	1.8/0.45	2880/720	220-460	24	2M/M5
BMS01-01M	1000	6/1.5	1.8/0.45	2880/720	220-460	24	2M/M5
BMS01-02M	1000	4/1	0.8/0.2	2880/720	220-460	24	2M/M5
BMS01-01M	1000	16/4	3.6/0.9	2880/720	220-460	24	2M/M5
BMS1.6-01M	1600	12/3	3.6/0.9	2880/720	220-460	24	2M/M5
BMS02-01M	2000	8/2	3.6/0.9	2880/720	220-460	24	2M/M5
BMS02-02M	2000	4/1	1.8/0.45	2880/720	220-460	24	2M/M5
BMS02-01M	2000	6/2	3.6/1.2	1440/480	220-460	24	2M/M5
BMS2.5-01M	2500	8/2	4/1	2880/720	220-460	24	2M/M5
BMS2.5-01M	2500	6/2	4/1.3	1440/480	220-460	24	2M/M5
BMS2.5-01M	2500	4/1.35	4/1.3	1440/480	220-460	24	2M/M5
BMS3.2-02M	3200	4/1	3.6/0.9	2880/720	220-460	24	2M/M5
BMS3.2-02M	3200	6/1.5	4/1	2880/720	220-460	24	2M/M5
BMS3.2-02M	3200	3/1	3.6/1.2	1440/480	220-460	24	2M/M5
BMS05-02M	5000	4/1	4/1	2880/720	220-460	24	2M/M5
BMS05-02M	5000	3/1	4/1.3	1440/480	220-460	24	2M/M5

型号(Model)	L	L1	A	B	C	C1
BMS0.125-01M	455	209	160	288	408	427
BMS0.125-01M	490	218	170	320	420	433
BMS0.25-01M	455	209	160	288	408	427
BMS0.25-01M	490	218	170	320	420	433
BMS0.25-01M	564	254	182	343	516	630
BMS0.5-01M	490	218	170	320	420	433
BMS0.5-01M	564	254	182	343	516	630
BMS0.5-01M	641	254	182	343	516	630
BMS0.5-01M	641	254	182	343	516	630
BMS0.5-02M	455	209	160	288	491	427
BMS01-01M	641	254	182	343	516	630
BMS01-01M	564	254	182	343	516	630
BMS01-01M	564	254	182	343	516	630
BMS01-02M	490	218	170	320	503	433
BMS01-01M	741	361	268	503	609	800
BMS1.6-01M	741	361	268	503	609	800
BMS02-01M	741	361	268	503	609	800
BMS02-02M	564	289	182	343	615	630
BMS02-01M	741	361	268	503	609	800
BMS2.5-01M	741	361	268	503	652	800
BMS2.5-01M	741	361	268	503	652	800
BMS2.5-01M	741	361	268	503	652	800
BMS3.2-02M	741	361	268	503	731	800
BMS3.2-02M	741	361	268	503	731	800
BMS3.2-02M	741	361	268	503	731	800
BMS05-02M	741	361	268	503	755	800
BMS05-02M	741	361	268	503	755	800

EUROPEAN ELECTRIC CHAIN HOIST WITH ELECTRIC TROLLEY

欧式电动环链葫芦 (运行式)



基本特征

BMS系列欧式电动环链葫芦可方便的安装到铝轨标准组件的轨道上。

Basic characteristics

BMS european electric chain hoist can be installed to the Aluminium rail orbit of standard components

测试简单

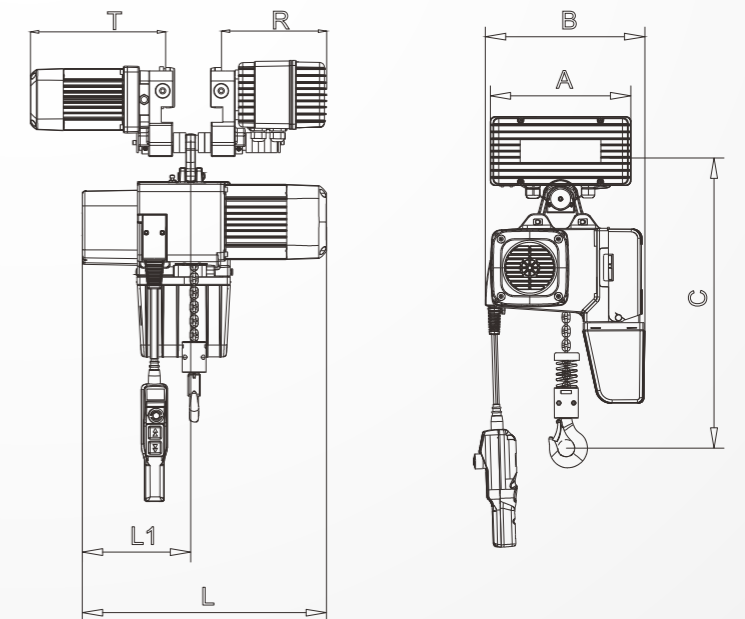
所有电器连接均为插入式——即插即用通用型悬挂机构，既能用于铝轨标准轨道又可与小车快速链接。

Easy test

All electrical connection to plug in, plug and play universal suspension mechanism, both can used for Aluminium rail standard track and can be connected to trolley quickly

Technical Parameters

技术参数



人性化设计

控制电缆长度可以调节，手电门总在最合适的位置。
手电门人性化设计，握感舒适，免除操作疲劳。

Humanized design

Control cable length can be adjusted,control pendant always in the most appropriate location.
Control pendant is humanized design,grip feels comfortable,avoid operation fatigue

标准双速电机，工作效率更高

低压24V控制更安全。

统一维修检测后盖

可用于电器接插，手电门高度调节，链条润滑。
无需拆卸其他部件，快速更换起重链轮，减少停机时间。

Unified maintenance test back cover

Can be used for electric plug,Control pendant can be high adjusted, the chain lubrication,without having to remove other components, fastly replace chain guide,and reduce downtime

Standard double speed motor,higher working efficiency
24V control voldage is more safe

型号(Model)	载重量(KG)	起升速度(m/min)	电机功率(kw)	电机转速(r/min)	工作电压(v)	控制电压(v)	工作等级(FEM/ISO)
BMS08-03M	8000	2.7/0.9	4/1	2880/720	220-460	24	2M/M5
BMS10-04M	10000	4/1	4/1	2880/720	220-460	24	2M/M5
BMS16-06M	16000	2.7/0.9	4/1	2880/720	220-460	24	2M/M5
BMS20-08M	20000	2/0.5	4/1	2880/720	220-460	24	2M/M5

型号(Model)	载重量(KG)	起升速度(m/min)	电机功率(kw)	电机转速(r/min)	工作电压(v)	控制电压(v)	工作等级(FEM/ISO)
BMS0.125-01M	125	8/2	0.4/0.1	2880/720	220-460	24	2M/M5
BMS0.125-01M	125	16/4	0.4/0.1	2880/720	220-460	24	2M/M5
BMS0.25-01M	250	8/2	0.4/0.1	2880/720	220-460	24	2M/M5
BMS0.25-01M	250	12/3	0.8/0.2	2880/720	220-460	24	2M/M5
BMS0.25-01M	250	16/4	1.8/0.45	2880/720	220-460	24	2M/M5
BMS0.5-01M	500	8/2	0.8/0.2	2880/720	220-460	24	2M/M5
BMS0.5-01M	500	12/3	1.8/0.45	2880/720	220-460	24	2M/M5
BMS0.5-01M	500	24/6	2.3/0.6	2880/720	220-460	24	2M/M5
BMS0.5-01M	500	16/4	2.3/0.6	2880/720	220-460	24	2M/M5
BMS0.5-02M	500	4/1	0.4/0.1	2880/720	220-460	24	2M/M5
BMS01-01M	1000	12/3	2.3/0.6	2880/720	220-460	24	2M/M5
BMS01-01M	1000	8/2	1.8/0.45	2880/720	220-460	24	2M/M5
BMS01-01M	1000	6/1.5	1.8/0.45	2880/720	220-460	24	2M/M5
BMS01-02M	1000	4/1	0.8/0.2	2880/720	220-460	24	2M/M5
BMS01-01M	1000	16/4	3.6/0.9	2880/720	220-460	24	2M/M5
BMS1.6-01M	1600	12/3	3.6/0.9	2880/720	220-460	24	2M/M5
BMS02-01M	2000	8/2	3.6/0.9	2880/720	220-460	24	2M/M5
BMS02-02M	2000	4/1	1.8/0.45	2880/720	220-460	24	2M/M5
BMS02-01M	2000	6/2	3.6/1.2	1440/480	220-460	24	2M/M5
BMS2.5-01M	2500	8/2	4/1	2880/720	220-460	24	2M/M5
BMS2.5-01M	2500	6/2	4/1.3	1440/480	220-460	24	2M/M5
BMS2.5-01M	2500	4/1.35	4/1.3	1440/480	220-460	24	2M/M5
BMS3.2-02M	3200	4/1	3.6/0.9	2880/720	220-460	24	2M/M5
BMS3.2-02M	3200	6/1.5	4/1	2880/720	220-460	24	2M/M5
BMS3.2-02M	3200	3/1	3.6/1.2	1440/480	220-460	24	2M/M5
BMS05-02M	5000	4/1	4/1	2880/720	220-460	24	2M/M5
BMS05-02M	5000	3/1	4/1.3	1440/480	220-460	24	2M/M5

型号(Model)	L	L1	T	R	L3	A	B	C
BMS0.125-01M	455	209	271	211	80-200	282	288	478
BMS0.125-01M	490	218	271	211	80-200	282	320	490
BMS0.25-01M	455	209	271	211	80-200	282	288	478
BMS0.25-01M	490	218	271	211	80-200	282	320	490
BMS0.25-01M	564	254	282	206	80-200	293	343	579
BMS0.5-01M	490	218	271	211	80-200	282	320	490
BMS0.5-01M	564	254	282	206	80-200	293	343	579
BMS0.5-01M	641	254	282	206	80-200	293	343	579
BMS0.5-01M	641	254	282	206	80-200	293	343	579
BMS0.5-02M	455	209	271	211	80-200	282	288	561
BMS01-01M	641	254	282	206	80-200	293	343	579
BMS01-01M	564	254	282	206	80-200	293	343	579
BMS01-01M	564	254	282	206	80-200	293	343	579
BMS01-02M	490	218	282	206	80-200	282	320	573
BMS01-01M	741	361	284	207	80-200	330	503	668
BMS1.6-01M	741	361	284	207	80-200	330	503	668
BMS02-01M	741	361	284	207	80-200	330	503	668
BMS02-02M	564	289	282	206	80-200	330	343	685
BMS02-01M	741	361	284	207	80-200	330	503	668
BMS2.5-01M	741	361	350	239	80-200	340	503	712
BMS2.5-01M	741	361	350	239	80-200	340	503	712
BMS2.5-01M	741	361	350	239	80-200	340	503	712
BMS3.2-02M	741	361	350	239	80-200	340	503	793
BMS3.2-02M	741	361	350	239	80-200	340	503	793
BMS3.2-02M	741	361	350	239	80-200	340	503	793
BMS05-02M	741	361	356	222	80-200	400	503	812
BMS05-02M	741	361	356	222	80-200	400	503	812

EUROPEAN LOW HEADROOM TYPE ELECTRIC CHAIN HOIST

欧式电动环链葫芦 (低净空)



基本特征

BMS系列欧式电动环链葫芦可方便的安装到铝轨标准组件的轨道上。

Basic characteristics

BMS european electric chain hoist can be installed to the Aluminium rail orbit of standard components

测试简单

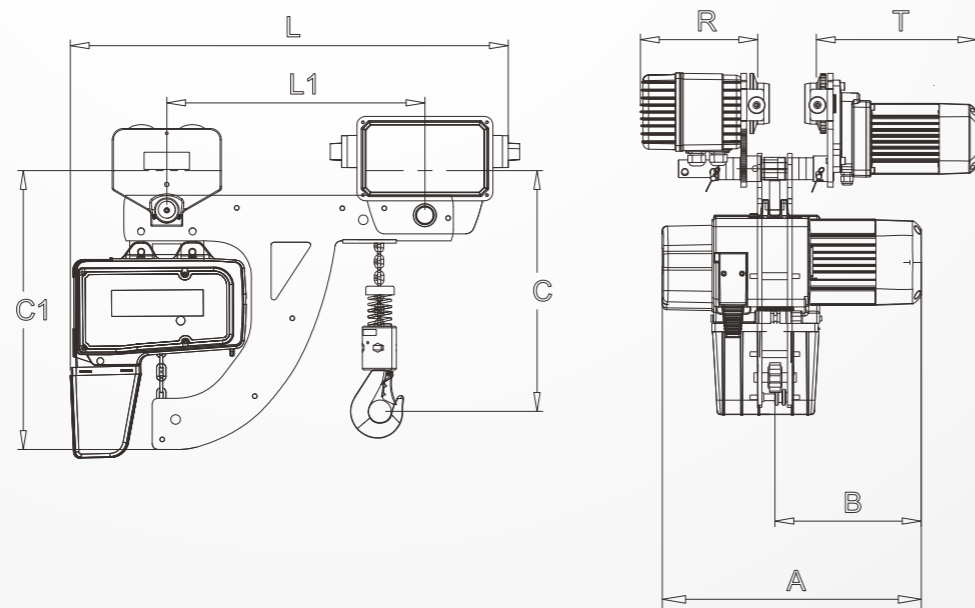
所有电器连接均为插入式——即插即用通用型悬挂机构，既能用于铝轨标准轨道又可与小车快速链接。

Easy test

All electrical connection to plug in, plug and play universal suspension mechanism,both can used for Aluminium rail standard track and can be connected to trolley quickly

Technical Parameters

技术参数



人性化设计

控制电缆长度可以调节，手电门总在最合适的位置。手电门人性化设计，握感舒适，免除操作疲劳。

Humanized design

Control cable length can be adjusted,control pendant always in the most appropriate location. Control pendant is humanized design,grip feels comfortable,avoid operation fatigue

标准双速电机，工作效率更高

低压24V控制更安全。

统一维修检测后盖

可用于电器接插，手电门高度调节，链条润滑。无需拆卸其他部件，快速更换起重链轮，减少停机时间。

Unified maintenance test back cover

Can be used for electric plug,Control pendant can be high adjusted, the chain lubrication,without having to remove other components, fastly replace chain guide,and reduce downtime

Standard double speed motor,higher working efficiency
24V control voldage is more safe

型号(Model)	载重量(KG)	起升速度(m/min)	电机功率(kw)	电机转速(r/min)	工作电压(v)	控制电压(v)	工作等级(FEM/ISO)
BMS0.25-01ML	250	8/2	0.8/0.2	2880/720	220-460	24	2M/M5
BMS0.5-01ML	500	8/2	0.8/0.2	2880/720	220-460	24	2M/M5
BMS01-02ML	1000	4/1	0.8/0.2	2880/720	220-460	24	2M/M5
BMS01-01ML	1000	8/2	1.8/0.45	2880/720	220-460	24	2M/M5
BMS02-02ML	2000	4/1	1.8/0.45	2880/720	220-460	24	2M/M5
BMS02-01ML	2000	8/2	3.6/0.9	2880/720	220-460	24	2M/M5
BMS2.5-01ML	2500	8/2	4/1	2880/720	220-460	24	2M/M5
BMS3.2-02ML	3200	4/1	3.6/0.9	2880/720	220-460	24	2M/M5
BMS05-02M	5000	4/1	4/1	2880/720	220-460	24	2M/M5

型号(Model)	L	L1	C	C1	A	B	T	E	R
BMS0.25-01ML	770	453	330	490	490	257	271	100-200	211
BMS0.5-01ML	770	453	330	490	490	257	271	100-200	211
BMS01-02ML	770	453	410	490	490	257	282	100-200	206
BMS01-01ML	863	548	375	630	564	292	282	100-200	206
BMS02-02ML	891	548	485	630	564	292	284	100-200	207
BMS02-01ML	1123	680	391	720	741	380	284	100-200	207
BMS2.5-01ML	1185	745	429	720	741	380	350	100-200	239
BMS3.2-02ML	1185	745	508	720	741	380	350	100-200	239
BMS05-02ML	1245	775	543	720	741	380	356	100-200	222

EUROPEAN ELECTRIC CHAIN HOIST (DOUBLE HOOK)

欧式电动环链葫芦 (双钩)



基本特征

BMS系列欧式电动环链葫芦可方便的安装到铝轨标准组件的轨道上。

Basic characteristics

BMS european electric chain hoist can be installed to the Aluminium rail orbit of standard components

测试简单

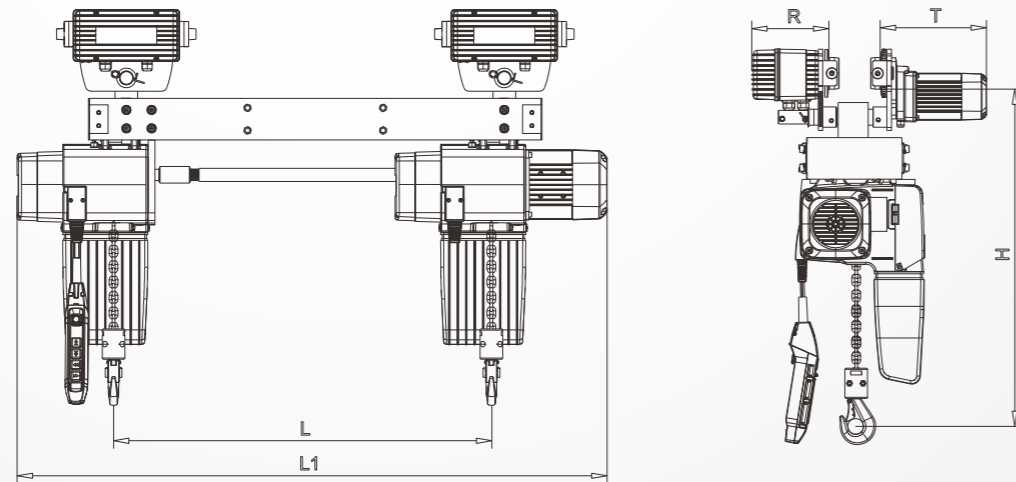
所有电器连接均为插入式——即插即用通用型悬挂机构，既能用于铝轨标准轨道又可与小车快速链接。

Easy test

All electrical connection to plug in, plug and play universal suspension mechanism,both can used for Aluminium rail standard track and can be connected to trolley quickly

Technical Parameters

技术参数



人性化设计

控制电缆长度可以调节，手电门总在最合适的位置。手电门人性化设计，握感舒适，免除操作疲劳。

Humanized design

Control cable length can be adjusted,control pendant always in the most appropriate location. Control pendant is humanized design,grip feels comfortable,avoid operation fatigue

标准双速电机，工作效率更高

低压24V控制更安全。

统一维修检测后盖

可用于电器接插，手电门高度调节，链条润滑。无需拆卸其他部件，快速更换起重链轮，减少停机时间。

Unified maintenance test back cover

Can be used for electric plug,Control pendant can be high adjusted, the chain lubrication,without having to remove other components, fastly replace chain guide,and reduce downtime

Standard double speed motor,higher working efficiency
24V control voldage is more safe

型号(Model)	载重量(KG)	起升速度(m/min)	电机功率(kw)	电机转速(r/min)	工作电压(v)	控制电压(v)	工作等级(FEM/ISO)
BMS0.125-01MD	125+125	8/2	0.8/0.2	2880/720	220-460	24	2M/M5
BMS0.25-01MD	250+250	8/2	0.8/0.2	2880/720	220-460	24	2M/M5
BMS0.5-02MD	500+500	4/1	0.8/0.2	2880/720	220-460	24	2M/M5
BMS0.5-01MD	500+500	8/2	1.8/0.45	2880/720	220-460	24	2M/M5
BMS01-02MD	1000+1000	4/1	1.8/0.45	2880/720	220-460	24	2M/M5

型号(Model)	L1	L2	T	R	E	H
BMS0.125-01MD	按客户 需要定做	L1+490	271	211	100-200	570
BMS0.25-01MD		L1+490	271	211	100-200	570
BMS0.5-02MD		L1+490	271	211	100-200	653
BMS0.5-01MD		L1+565	282	206	100-200	671
BMS01-02MD		L1+565	284	207	100-200	770

EUROPEAN ELECTRIC CHAIN HOIST WITH ELECTRIC TROLLEY

欧式电动环链葫芦 (8T运行式)



基本特征

BMS系列欧式电动环链葫芦可方便的安装到铝轨标准组件的轨道上。

Basic characteristics

BMS european electric chain hoist can be installed to the Aluminium rail orbit of standard components

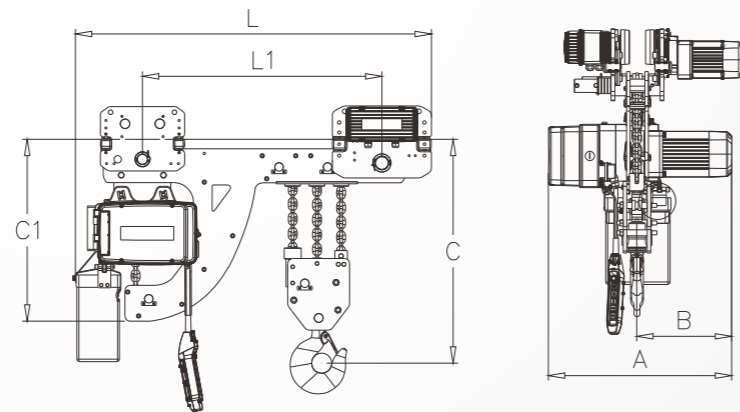
测试简单

所有电器连接均为插入式——即插即用通用型悬挂机构，既能用于铝轨标准轨道又可与小车快速链接。

Easy test

All electrical connection to plug in, plug and play universal suspension mechanism,both can used for Aluminium rail standard track and can be connected to trolley quickly

Technical Parameters 技术参数



人性化设计

控制电缆长度可以调节，手电门总在最合适的位置。手电门人性化设计，握感舒适，免除操作疲劳。

Humanized design

Control cable length can be adjusted,control pendant always in the most appropriate location. Control pendant is humanized design,grip feels comfortable,avoid operation fatigue

标准双速电机，工作效率更高

低压24V控制更安全。

统一维修检测后盖

可用于电器接插，手电门高度调节，链条润滑。无需拆卸其他部件，快速更换起重链轮，减少停机时间。

Unified maintenance test back cover

Can be used for electric plug,Control pendant can be high adjusted, the chain lubrication,without having to remove other components, fastly replace chain guide,and reduce downtime

Standard double speed motor,higher working efficiency
24V control voldage is more safe

型号(Model)	载重量(KG)	起升速度(m/min)	电机功率(kw)	电机转速(r/min)	工作电压(v)	控制电压(v)	工作等级(FEM/ISO)
BMS08-03ML	8000	2.7/0.9	4/1	2880/720	220-460	24	2M/M5

型号(Model)	L	L1	T	R	L3	A	B	C	C1
BMS08-03ML	1444	966	356	222	150-220	741	381	653	735

EUROPEAN ELECTRIC CHAIN HOIST WITH ELECTRIC TROLLEY

欧式电动环链葫芦 (10T运行式)



基本特征

BMS系列欧式电动环链葫芦可方便的安装到铝轨标准组件的轨道上。

Basic characteristics

BMS european electric chain hoist can be installed to the Aluminium rail orbit of standard components

测试简单

所有电器连接均为插入式——即插即用通用型悬挂机构，既能用于铝轨标准轨道又可与小车快速链接。

Easy test

All electrical connection to plug in, plug and play universal suspension mechanism, both can used for Aluminium rail standard track and can be connected to trolley quickly

人性化设计

控制电缆长度可以调节，手电门总在最合适的位置。手电门人性化设计，握感舒适，免除操作疲劳。

Humanized design

Control cable length can be adjusted, control pendant always in the most appropriate location. Control pendant is humanized design, grip feels comfortable, avoid operation fatigue

统一维修检测后盖

可用于电器接插，手电门高度调节，链条润滑。无需拆卸其他部件，快速更换起重链轮，减少停机时间。

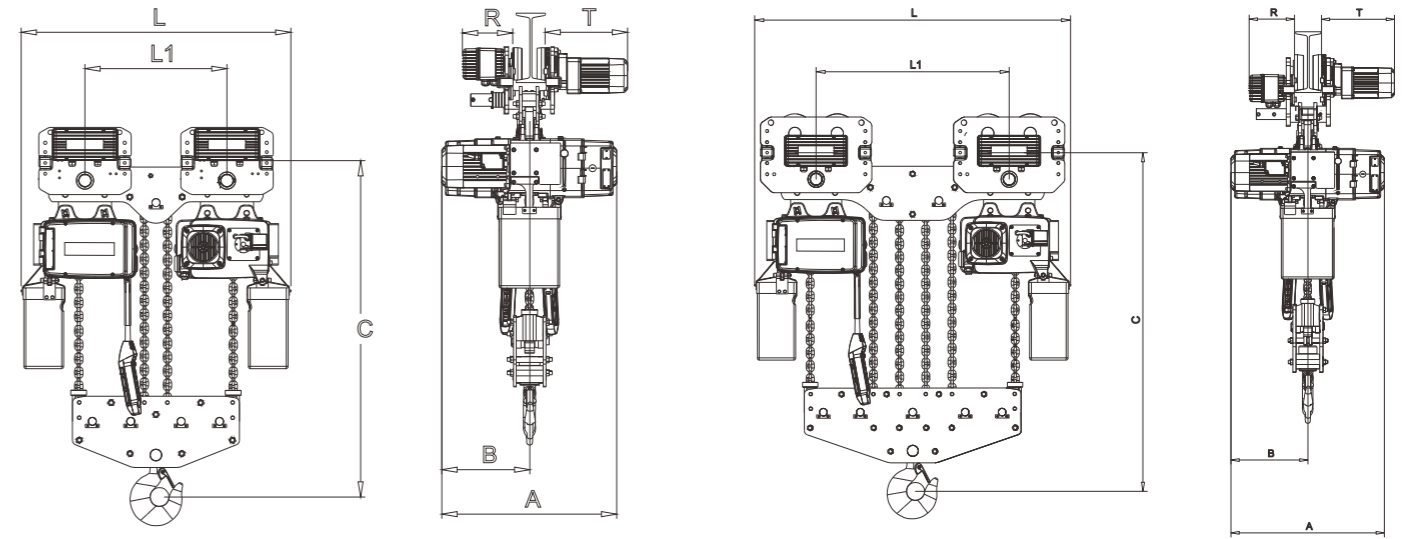
Unified maintenance test back cover

Can be used for electric plug, Control pendant can be high adjusted, the chain lubrication, without having to remove other components, fastly replace chain guide, and reduce downtime

标准双速电机，工作效率更高

低压24V控制更安全。

Standard double speed motor, higher working efficiency 24V control voldage is more safe



Technical Parameters

技术参数

固定式

型号(Model)	L	L1	A	B	C
BMS10-04M	1185	632	757	378	751
BMS16-06M	1421	868	757	378	932

型号(Model)	载重量(KG)	起升速度(m/min)	电机功率(kw)	电机转速(r/min)	工作电压(v)	控制电压(v)	工作等级(FEM/ISO)
BMS10-04M	10000	4/1	4/1	2880/720	220-460	24	2M/M5
BMS16-06M	16000	2.7/0.9	4/1	2880/720	220-460	24	2M/M5

运行式

型号(Model)	L	L1	T	R	L3	A	B	C
BMS10-04M	1185	632	356	222	150-220	757	378	962
BMS16-06M	1421	868	361	225	150-220	757	378	1024

型号(Model)	载重量(KG)	起升速度(m/min)	电机功率(kw)	电机转速(r/min)	工作电压(v)	控制电压(v)	工作等级(FEM/ISO)
BMS10-04M	10000	4/1	4/1	2880/720	220-460	24	2M/M5
BMS16-06M	16000	2.7/0.9	4/1	2880/720	220-460	24	2M/M5

EUROPEAN ELECTRIC CHAIN HOIST WITH ELECTRIC TROLLEY

欧式电动环链葫芦 (低净空)



基本特征

BMS系列欧式电动环链葫芦可方便的安装到铝轨标准组件的轨道上。

Basic characteristics

BMS european electric chain hoist can be installed to the Aluminium rail orbit of standard components

测试简单

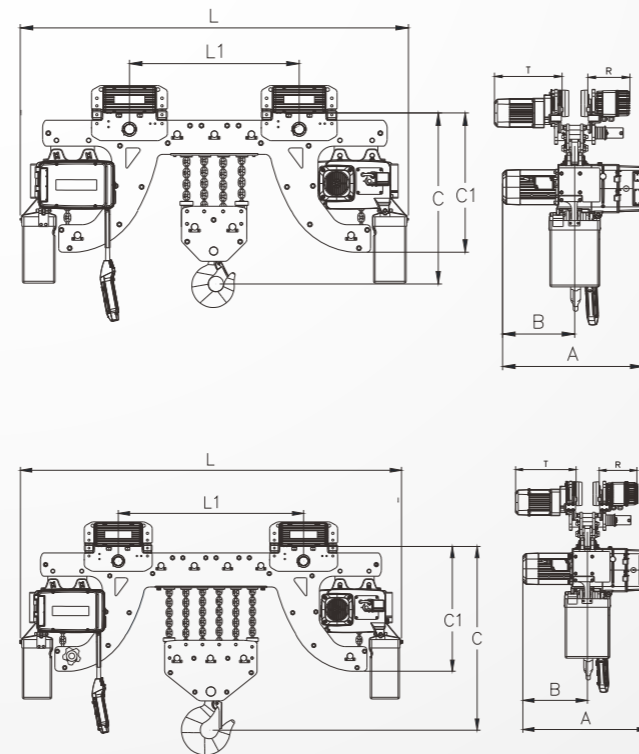
所有电器连接均为插入式——即插即用通用型悬挂机构，既能用于铝轨标准轨道又可与小车快速链接。

Easy test

All electrical connection to plug in, plug and play universal suspension mechanism,both can used for Aluminium rail standard track and can be connected to trolley quickly

Technical Parameters

技术参数



人性化设计

控制电缆长度可以调节，手电门总在最合适的位置。手电门人性化设计，握感舒适，免除操作疲劳。

Humanized design

Control cable length can be adjusted,control pendant always in the most appropriate location. Control pendant is humanized design,grip feels comfortable,avoid operation fatigue

标准双速电机，工作效率更高

低压24V控制更安全。

统一维修检测后盖

可用于电器接插，手电门高度调节，链条润滑。无需拆卸其他部件，快速更换起重链轮，减少停机时间。

Unified maintenance test back cover

Can be used for electric plug,Control pendant can be high adjusted, the chain lubrication,without having to remove other components, fastly replace chain guide,and reduce downtime

Standard double speed motor,higher working efficiency
24V control voldage is more safe

型号(Model)	载重量(KG)	起升速度(m/min)	电机功率(kw)	电机转速(r/min)	工作电压(v)	控制电压(v)	工作等级(FEM/ISO)
BMS10-04ML	10000	4/1	4/1	2880/720	220-460	24	2M/M5
BMS16-06ML	16000	2.7/0.9	4/1	2880/720	220-460	24	2M/M5
BMS20-08ML	20000	2/0.5	4/1	2880/720	220-460	24	2M/M5

型号(Model)	L	L1	T	R	L3	A	B	C	C1
BMS10-04ML	2049	895	356	222	120-220	741	381	670	735
BMS16-06ML	2245	1090	356	222	120-220	741	381	805	735
BMS20-08ML	2450	1290	361	226	120-220	741	381	836	757

EUROPEAN ELECTRIC CHAIN HOIST (HAND CONTROL)

欧式电动环链葫芦 (手控式)

基本特征

BMS系列欧式电动环链葫芦可方便的安装到铝轨标准组件的轨道上。

Basic characteristics

BMS european electric chain hoist can be installed to the Aluminium rail orbit of standard components

测试简单

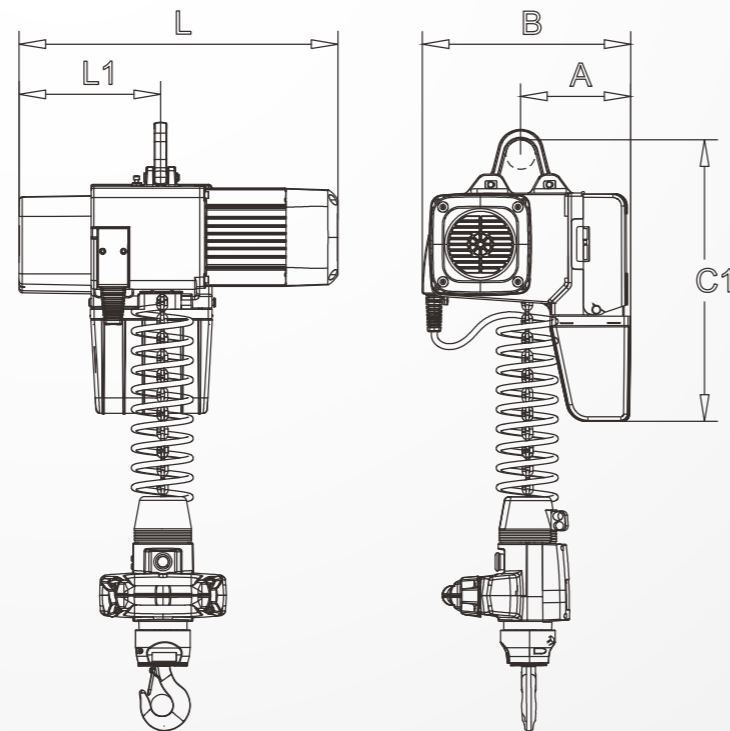
所有电器连接均为插入式——即插即用通用型悬挂机构，既能用于铝轨标准轨道又可与小车快速链接。

Easy test

All electrical connection to plug in, plug and play universal suspension mechanism,both can used for Aluminium rail standard track and can be connected to trolley quickly

Technical Parameters

技术参数



人性化设计

控制电缆长度可以调节，手电门总在最合适的位置。手电门人性化设计，握感舒适，免除操作疲劳。

Humanized design

Control cable length can be adjusted,control pendant always in the most appropriate location. Control pendant is humanized design,grip feels comfortable,avoid operation fatigue

标准双速电机，工作效率更高

低压24V控制更安全。

统一维修检测后盖

可用于电器接插，手电门高度调节，链条润滑。无需拆卸其他部件，快速更换起重链轮，减少停机时间。

Unified maintenance test back cover

Can be used for electric plug,Control pendant can be high adjusted, the chain lubrication,without having to remove other components, fastly replace chain guide,and reduce downtime

Standard double speed motor,higher working efficiency
24V control voldage is more safe

型号(Model)	载重量(KG)	起升速度 (m/min)	电机功率 (kw)	电机转速 (r/min)	工作电压 (v)	控制电压 (v)	工作等级 (FEM/ISO)
BMS0.125-01MH	125	8/2	0.4/0.1	2880/720	220-460	24	2M/M5
BMS0.125-01MH	125	16/4	0.8/0.2	2880/720	220-460	24	2M/M5
BMS0.25-01MH	250	8/2	0.4/0.1	2880/720	220-460	24	2M/M5
BMS0.25-01MH	250	12/3	0.8/0.2	2880/720	220-460	24	2M/M5
BMS0.5-01MH	500	8/2	0.8/0.2	2880/720	220-460	24	2M/M5

型号(Model)	L	L1	A	B
BMS0.125-01MH	511	265	159	288
BMS0.125-01MH	541	271	170	320
BMS0.25-01MH	511	265	159	288
BMS0.25-01MH	541	271	170	320
BMS0.5-01MH	541	271	170	320



直观操作 精确定位

Intuitive operation
Accurate locating

更高的利用率 带来更大的效率和受益

直观负载搬运从未如此简单、高效：作为我们BMS系列的重要组成产品，八马环链电动平衡吊带有平衡功能，可轻松引导和精确定位负载。八马环链电动平衡吊钩包括多种规格，负载能力高达500kg。它们与我们有着广泛应用的KBK轻型起重机完美结合。

八马环链电动平衡吊可以在KBK轨道上轻松运行，应用包括：单梁悬挂式起重机、悬挂式单轨系统或悬臂起重机。

强大的安全性和可靠性 八马核心功能：

- ◆ 手柄感应手部控制负载的起升和下降
- ◆ 灵活操控负载
- ◆ 链条张紧功能
- ◆ 防止突然抓取负载
- ◆ 抑制负载晃动
- ◆ 持续载荷监控

特性：

- ◆ 运行限位开关（上/下）
- ◆ 运行时间计数器
- ◆ 得益于运行数据界面（IDAPSY），安装更透明

安装便捷：

- ◆ “即插即用” 插拔式电气连接

强大的安全性和可靠性

- ◆ 再生制动，减少制动器磨损
- ◆ 刹车无需补偿调整
- ◆ 在传动机构的布局中，制动器布置在滑动离合器之前（杜绝负载下滑现象）
- ◆ 发生故障时自动制动
- ◆ 通过速度监控自动切断滑动离合器（无溜钩现象）
- ◆ 减速箱、摩擦离合器和制动器 免维护
- ◆ 安全相关功能满足EN ISO13849-1 标准的性能等级C级和2类

带有平衡功能的八马 环链电动葫芦

BRIMA with balance
function Electric Chain
Hoist

您将由此受益

You will benefit from this

抓握控制

- ◆ “手柄控制模式” 通过D-Grip伺服控制手柄轻松控制负载。

荷载定位

- ◆ 切换“荷载定位模式”，操作员仅需手扶载荷轻轻用力，即可直接牵引载荷。

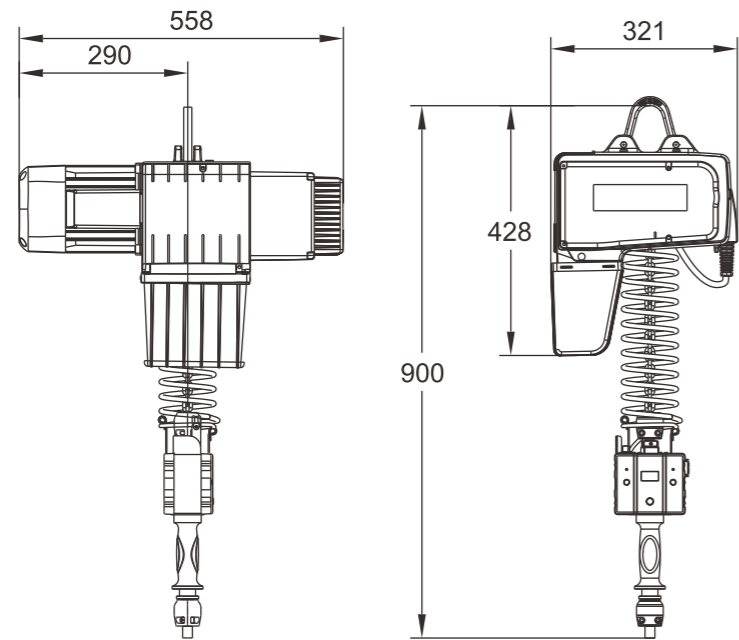
装配模式

- ◆ 抑制任何载荷摆动和不受控制的运动，使装配操作具备极高的安全性和精确性。

载荷抓取模式

- ◆ 可提升和预张紧吊具。
- ◆ 负载卸下的同时不会引起吊钩突然的下落或上升
- ◆ 保护夹具和设备。只有在达到预设力时，平衡器才会举升。





EUROPEAN ELECTRIC CHAIN HOIST MANUAL TROLLEY

欧式手动小车

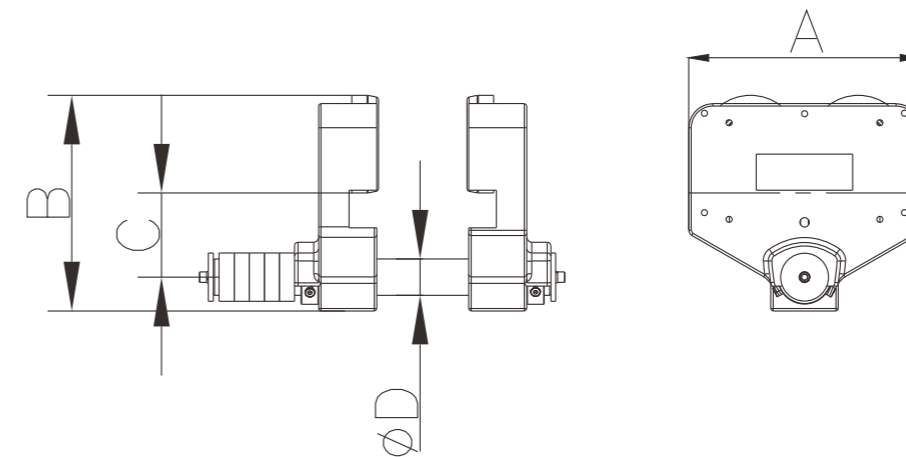


Technical Parameters

技术参数

产品参数

型号		BMS-ZNL80	BMS-ZNL125	BMS-ZNL250	BMS-ZNL500
起重量	kg	80	125	250	500
最大起升速度	m/min	20	20	16	8
标准起升高度	mm	3000	3000	3000	3000
链条规格	mm	5.0*15	5.0*15	5.0*15	5.0*15
工作级别	FEM/ISO	4m/M7	4m/M7	4m/M7	2m/M5
电源电压	V AC	单相220	单相220	单相220	单相220
频率	HZ	50	50	50	50
控制电压	V DC	24	24	24	24
功率	KW	1.1	1.1	1.1	1.1
防护等级		IP55	IP55	IP55	IP55
绝缘等级		F	F	F	F
工作温度范围	°C	-20至40	-20至40	-20至40	-20至40



型号(Model)	载重量(KG)	A	B	C	D	工字钢梁 I-Beam
MT-0.5	500	192	193	70	30	80-200
MT-01	1000	293	201	78	31	80-200
MT-02	2000	330	217	74	36	80-200
MT-3.2	3200	340	250	71	43	80-200
MT-05	5000	400	291	86	54	80-200

